

Tamiya TT-01E Setup Sheet



Ver 1.0
For TT-01E
11/22/2019

Name: _____ Date: _____ Track: _____

Track Conditions: _____ Track Temperature: _____

Front:

Shock Tower: Stock Carbon Fiber

Steering: Stock Aluminum

Servo Saver: Stock Optional SolidArm Adjustable Upper Arm

Ackermann:

Camber: _____

Ride Height: _____ mm

Drop: _____ mm

Anti-Roll Bar: _____

Wheel Spacer: _____ mm

Wheel Hex: _____ mm

Differential: _____

Shock: _____

Spring: _____

Piston: _____

Fluid: _____

Rebound: _____ mm

Stroke: _____ mm

Differential Fluid: _____ cst

Rear:

Shock Tower: Stock Carbon Fiber Adjustable Upper Arm

Camber: _____

Ride Height: _____ mm

Drop: _____ mm

Anti-Roll Bar: _____

Wheel Spacer: _____ mm

Wheel Hex: _____ mm

Differential: _____

Shock: _____

Spring: _____

Piston: _____

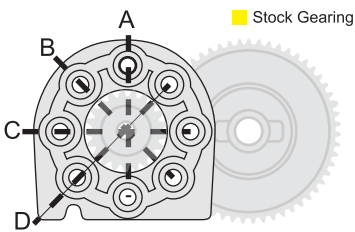
Fluid: _____

Rebound: _____ mm

Stroke: _____ mm

Differential Fluid: _____ cst

Gearing:



Pinion Gear	Spur Gear / Tamiya Part #		
	61 #51004	58 #53665	55 #53665
19	8.35 (A) <input type="checkbox"/>		
20	7.93 (B) <input type="checkbox"/>		
21	7.55 (C) <input type="checkbox"/>		
22	7.21 (D) <input checked="" type="checkbox"/>	6.85 (A) <input type="checkbox"/>	
23		6.56 (B) <input type="checkbox"/>	
24		6.28 (C) <input type="checkbox"/>	
25		6.03 (D) <input type="checkbox"/>	5.72 (A) <input type="checkbox"/>
26			5.50 (B) <input type="checkbox"/>
27			5.30 (C) <input type="checkbox"/>
28			5.11 (D) <input type="checkbox"/>

Body, Wheels, Tires:

Body: _____

Front Wheels: Front Rear

Rear Wheels: Front Rear

Tires: _____

Tire Additive: _____

← Outside

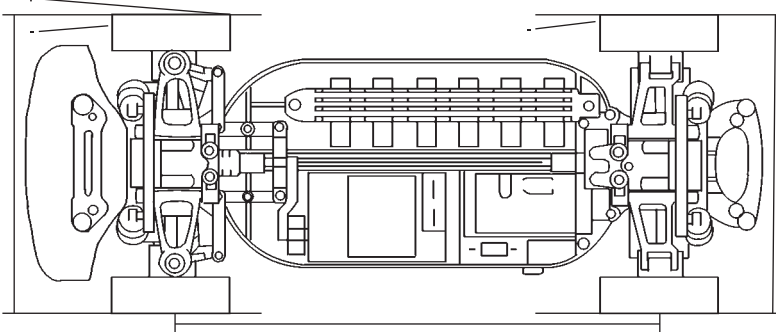
Front

→ Outside

Rear

Suspension:

Toe Angle (front): _____ ° Toe Angle (rear): _____ °



Front Width: _____ mm Wheelbase: 250 257 Rear Width: _____ mm

Electronics:

Motor: _____

Motor Timing: _____

ESC: _____

Battery: _____

Radio: _____

Servo: _____

Misc:

Center Shaft: Stock Aluminum

Motor Mount: Stock Aluminum

Notes: